

Micrometer

The origin of Mitutoyo's trustworthy brand of small tool instruments

Tube Micrometers SERIES 395, 115, 295

MeasurLink[®] ENABLED
Data Management Software by Mitutoyo

- Measuring faces: Carbide. (115-101: only the spindle is carbide tipped.)
- **series 395:** IP65 digital spherical-flat anvil type micrometer.
- Equipped with Ratchet Stop for constant measuring force.



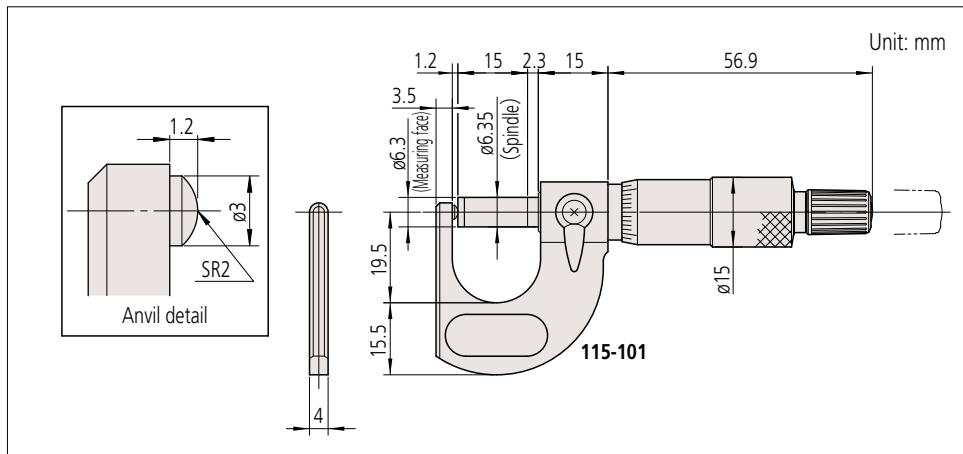
SPECIFICATIONS

Metric				
Order No.	Range (mm)	Resolution (mm)	Maximum permissible error J_{MPE} (μ m)	ϕ D (mm)
Digimatic (LCD)				
395-251-30	0 - 25	0.001	± 2	$\phi 15$
395-252-30	25 - 50			$\phi 19$
395-253-30	50 - 75			$\phi 19$
395-254-30	75 - 100			$\phi 20$

Metric				
Order No.	Range (mm)	Graduation (mm)	Maximum permissible error J_{MPE} (μ m)	ϕ D (mm)
Analog				
115-101	0 - 15	0.01	± 3	$\phi 5.5$
115-115	0 - 25			$\phi 10$
115-116	25 - 50			$\phi 11$
115-117	50 - 75			$\phi 17$
115-118	75 - 100			$\phi 18$
Mechanical counter model				
295-115	0 - 25		± 3	$\phi 10$

Note: For functional details of **series 395** refer to page B-8.
Optional connecting cable is available only for water-proof type (Digimatic model).

DIMENSIONS



MeasurLink[®] ENABLED
Data Management Software by Mitutoyo

Products equipped with the measurement data output function can be connected to the measurement data network system MeasurLink[®] (refer to page A-25 for details).



These marks indicate that a product has successfully passed IP65-level testing, which is carried out by the independent German certification organization TÜV Rheinland.



Dust- and Water-Protected
www.tuv.com
ID 000040191

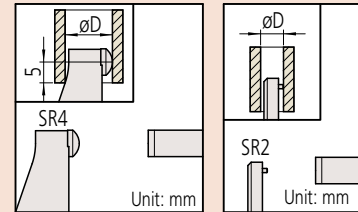
Applicable models: **series 395**

IP Codes (series 395)

- Level 6: Dust-proof.
No ingress of dust allowed.
- Level 5: Protected against water jets.
Water projected in jets against the enclosure from any direction shall have no harmful effects.

Technical Data

- Flatness: 0.6 μ m/0.000024 in (**series 115 & 295**)
0.3 μ m/0.000012 in (**series 395**)



Other than **115-101** **115-101**

Technical Data

- Battery for **series 395**
SR44 (1 pc.), **938882**, for initial operational checks (standard accessory)
- Battery life: Approx. 2.4 years under normal use (for **series 395**)
- Length standard: Electromagnetic rotary sensor (for **series 395**)
- Standard accessories: Reference bar, 1 pc. (except for measuring range 0 to 15 mm/0 to 25 mm (0 to 1 in) models)
Spanner (**200168**), 1 pc. (for **115-101**)
Spanner (**301336**), 1 pc. (for models other than **115-101**)

Optional Accessories

- Connecting cables for **series 395**
1 m: **05CZA662**
2 m: **05CZA663**
- USB Input Tool Direct
USB-ITN-B (2 m): **06AFM380B**
- **U-WAVE-T** dedicated connection cable
160 mm: **02AZD790B**
For foot switch: **02AZE140B**
Refer to page A-21 for details.

Wireless Data Output **U-WAVE^{fit}**

- **U-WAVE-TM 264-622** (IP67 type)
264-623 (Buzzer type)
- **U-WAVE-TMB** Transmitter
Mitutoyo Bluetooth[®] U-WAVE 264-626 (IP67 type)
264-627 (Buzzer type)
Refer to page A-10 for details.
- Connecting unit for **U-WAVE-TM/TMB**
02AZF310 (IP67/buzzer type common specification)
Refer to pages A-10 and A-12 for details.



These marks indicate that a product has successfully passed IP65-level testing, which is carried out by the independent German certification organization TÜV Rheinland.



Dust- and Water-Protected

Applicable models: **series 395**

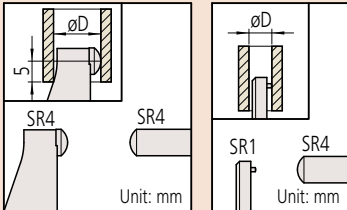
IP Codes (series 395)

Level 6: Dust-proof.

No ingress of dust allowed.

Level 5: Protected against water jets.

Water projected in jets against the enclosure from any direction shall have no harmful effects.



Other than **115-201**

115-201

Technical Data

- Battery for **series 395**
SR44 (1 pc.), **938882**, for initial operational checks (standard accessory)
- Battery life: Approx. 2.4 years under normal use (for **series 395**)
- Length standard: Electromagnetic rotary sensor (for **series 395**)
- Standard accessories: Reference bar, 1 pc. (except for measuring range 0 to 15 mm/0 to 25 mm (0 to 1 in) models)
Spanner (**200168**), 1 pc. (for **115-201**)
Spanner (**301336**), 1 pc. (for models other than **115-201**)

Optional Accessories

- Connecting cables for **series 395**
1 m: **05CZA662**
2 m: **05CZA663**
- USB Input Tool Direct
USB-ITN-B (2 m): **06AFM380B**
- U-WAVE-T** dedicated connection cable
160 mm: **02AZD790B**
For foot switch: **02AZE140B**
Refer to page A-21 for details.

Wireless Data Output **U-WAVE**™

- U-WAVE-TM 264-622** (IP67 type)
264-623 (Buzzer type)
- U-WAVE-TMB** Transmitter
Mitutoyo Bluetooth® U-WAVE 264-626 (IP67 type)
264-627 (Buzzer type)
Refer to page A-10 for details.
- Connecting unit for **U-WAVE-TM/TMB 02AZF310** (IP67/buzzer type common specification)
Refer to pages A-10 and A-12 for details.

Tube Micrometers SERIES 395, 115, 295 — Spherical Anvil and Spindle Type

- Measuring faces: Carbide. (**115-201**: only the spindle is carbide tipped.)
- series 395**: IP65 spherical anvil and spindle type digital micrometer.
- Equipped with Ratchet Stop for constant measuring force.



SPECIFICATIONS

Metric				
Order No.	Range (mm)	Resolution (mm)	Maximum permissible error J_{MPE} (μm)	øD (mm)
Digimatic (LCD)				
395-271-30	0 - 25	0.001	±2	ø15
395-272-30	25 - 50			
395-273-30	50 - 75			
395-274-30	75 - 100			

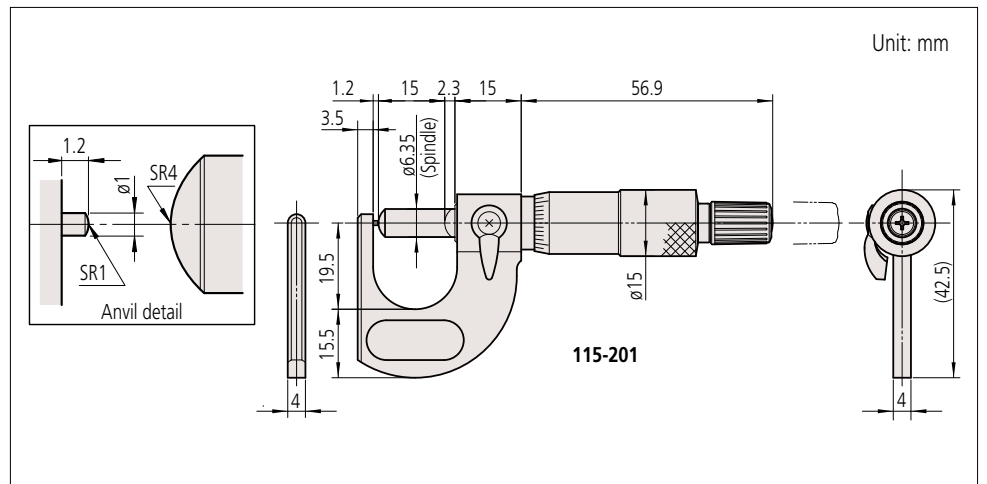
Inch / Metric				
Order No.	Range (in)	Resolution	Maximum permissible error J_{MPE} (in)	øD (in)
Digimatic (LCD)				
395-371-30	0 - 1	0.00005 in/ 0.001 mm	±0.0001	ø0.59
395-372-30	1 - 2			
395-373-30	2 - 3			
395-374-30	3 - 4			

Metric				
Order No.	Range (mm)	Graduation (mm)	Maximum permissible error J_{MPE} (μm)	øD (mm)
Analog				
115-201	0 - 15	0.01	±3	ø5.5
115-215	0 - 25			ø10
115-216	25 - 50			ø11
115-217	50 - 75			ø17
115-218	75 - 100			ø18
295-215	0 - 25			±4

Inch				
Order No.	Range (in)	Graduation (in)	Maximum permissible error J_{MPE} (in)	øD (in)
Analog				
115-253	0 - 1	0.001	±0.00015	ø0.40
115-242	1 - 2			ø0.44
115-243	2 - 3			ø0.67
Mechanical counter model				
295-253	0 - 1	0.0001	±0.00015	ø0.40

Note: For functional details of **series 395** refer to page B-8.
Optional connecting cable is available only for water-proof type (Digimatic model).

DIMENSIONS



Micrometer

The origin of Mitutoyo's trustworthy brand of small tool instruments

Tube Micrometers SERIES 395, 115, 295 — Spherical and Cylindrical Anvil Type

MeasurLink® ENABLED
Data Management Software by Mitutoyo

- Spindle face: Carbide.
- **Series 395:** IP65 spherical and cylindrical anvil type digital micrometers.

- Equipped with Ratchet Stop for constant measuring force.



SPECIFICATIONS

Metric				
Order No.	Range (mm)	Resolution (mm)	Maximum permissible error J_{MPE} (μm)	Remarks
Digimatic (LCD)				
395-261-30	0 - 25	0.001	±3	Type A
395-262-30				Type B
395-263-30				Type C
395-264-30				Type D

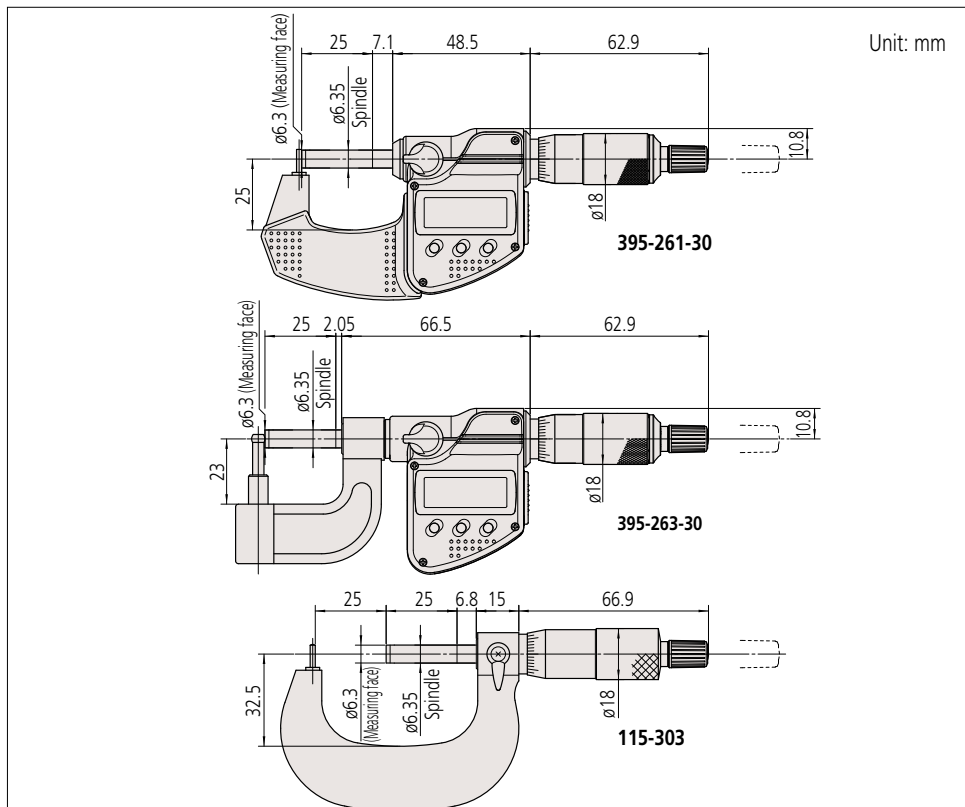
Inch / Metric				
Order No.	Range (in)	Resolution	Maximum permissible error J_{MPE} (in)	Remarks
Digimatic (LCD)				
395-362-30	0 - 1	0.00005 in / 0.001 mm	±0.00015	Type B
395-363-30				Type C
395-364-30				Type D

Metric				
Order No.	Range (mm)	Graduation (mm)	Maximum permissible error J_{MPE} (μm)	Remarks
Analog				
115-302	0 - 25	0.01	±3	Type A
115-308				Type B
115-303	25 - 50	0.01	±3	Type A
115-309				Type B
115-315	0 - 25	0.01	±3	Type C
115-316				Type D

Inch				
Order No.	Range (in)	Graduation (in)	Maximum permissible error J_{MPE} (in)	Remarks
Analog				
115-305	0 - 1	0.001	±0.00015	Type A
115-313				Type C
115-314	Type D			

Note: For functional details of **series 395** refer to page B-8.
Optional connecting cable is available only for water-proof type (Digimatic model).

DIMENSIONS



MeasurLink® ENABLED
Data Management Software by Mitutoyo

Products equipped with the measurement data output function can be connected to the measurement data network system MeasurLink® (refer to page A-25 for details).

IP 65

These marks indicate that a product has successfully passed IP65-level testing, which is carried out by the independent German certification organization TÜV Rheinland.

TÜVRheinland
CERTIFIED

Dust- and Water-Protected
www.tuv.com
ID 0000040191

Applicable models: **series 395**

IP Codes (series 395)

Level 6: Dust-proof. No ingress of dust allowed.
Level 5: Protected against water jets.

Water projected in jets against the enclosure from any direction shall have no harmful effects.

Type A (pin)

Type B (spherical)

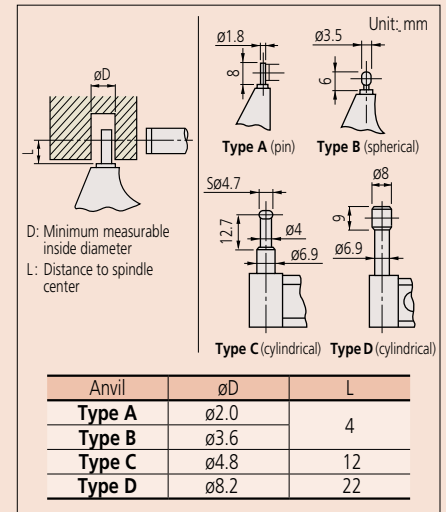


Type C (cylindrical)

Type D (cylindrical)



- Flatness: 0.6 μm/0.000024 in (**series 115**)
0.3 μm/0.000012 in (**series 395**)



Technical Data

- Battery for **series 395**
SR44 (1 pc.), **938882**, for initial operational checks (standard accessory)
- Battery life: Approx. 2.4 years under normal use (for **series 395**)
- Length standard: Electromagnetic rotary sensor (for **series 395**)
- Standard accessories: Reference bar, 1 pc. (except for measuring range 0 to 25 mm (0 to 1 in) models)
Spanner (**301336**), 1 pc.

Optional Accessories

- Connecting cables for **series 395**
1 m: **05CZA662** 2 m: **05CZA663**
- USB Input Tool Direct
USB-ITN-B (2 m): **06AFM380B**
- **U-WAVE-T** dedicated connection cable
160 mm: **02AZD790B**
For foot switch: **02AZE140B**
Refer to page A-21 for details.

Wireless Data Output **U-WAVE™**

- **U-WAVE-TM** 264-622 (IP67 type)
264-623 (Buzzer type)
- **U-WAVE-TMB** Transmitter
Mitutoyo Bluetooth® U-WAVE
264-626 (IP67 type) 264-627 (Buzzer type)
Refer to page A-10 for details.
- Connecting unit for **U-WAVE-TM/TMB**
02AZF310 (IP67/buzzer type common specification)
Refer to pages A-10 and A-12 for details.